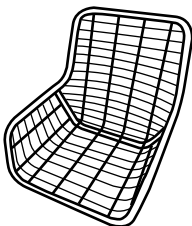
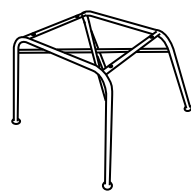




ITEM NAME/NOM D'ITEM: LYON DINING CHAIR

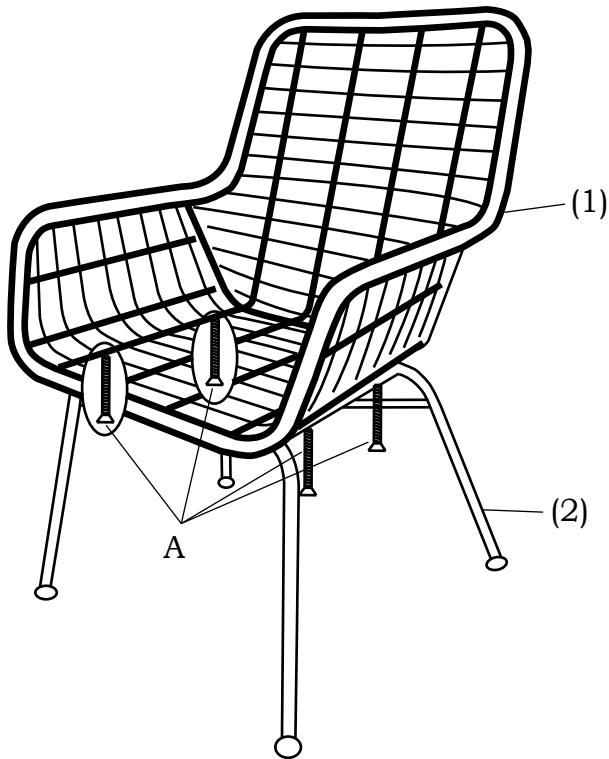
ITEM # /NO.ITEM: 703941/703942

PARTS LIST/LISTE DES PIÈCES

(1)	(2)	(3)
 <p style="text-align: right;">x1</p>	 <p style="text-align: right;">x1</p>	<p>A.  M6x35mm x4</p> <p>B.  4mm x1</p>

ASSEMBLY INSTRUCTIONS/INSTRUCTIONS D'ASSEMBLAGE

I



II

