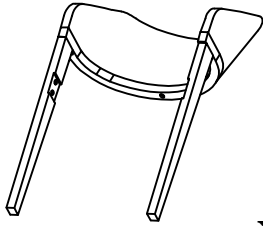
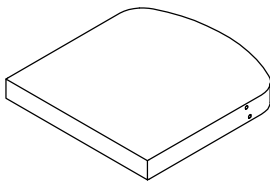





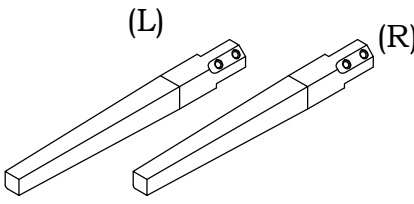


**ITEM NAME/NOM D'ITEM: SUNOBU DINING CHAIR**

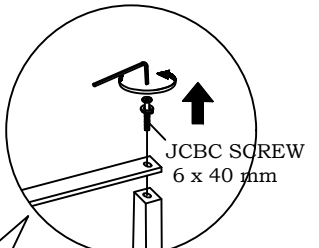
**ITEM #/NO. ITEM: 110496**

**PARTS LIST/LISTE DES PIÈCES**

(1)	(2)	(4)
 <p>x1</p>	 <p>x1</p>	<p>A.  M6 x 40MM x2</p> <p>B.  M6 x 50MM x4</p> <p>C.  1/4 x8</p> <p>D.  1/4 x8</p> <p>E.  M4 x1</p>
(3)		
 <p>x1</p>		

**ASSEMBLY INSTRUCTIONS/INSTRUCTIONS D'ASSEMBLAGE**

**I.**

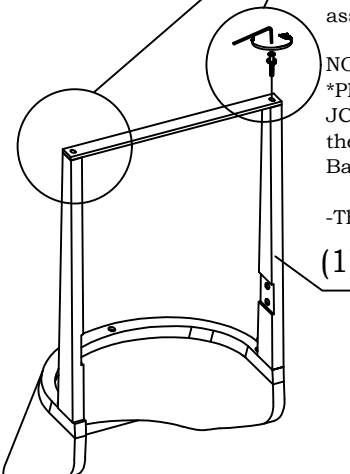


JCBC SCREW  
6 x 40 mm

Please open the screw and remove wood before beginning the assembly.

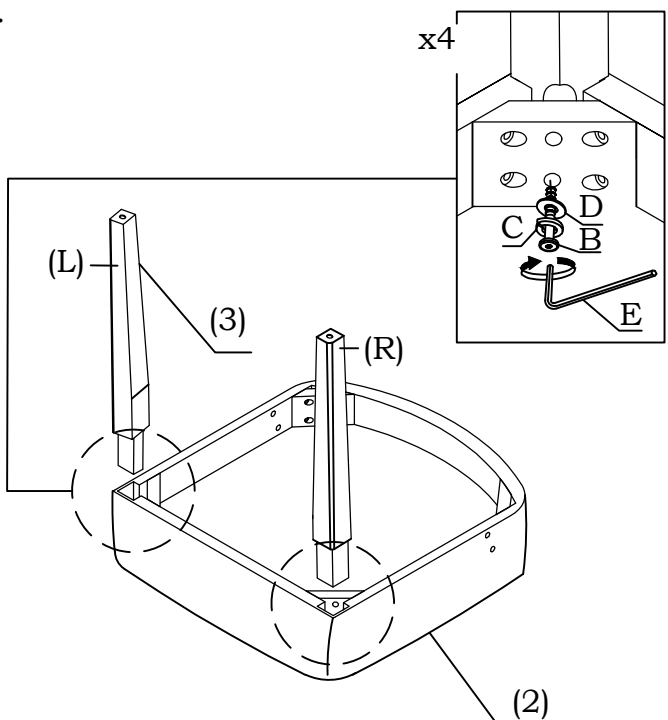
NOTE:  
\*Please note that the removed JCBC screws must be retained as they are needed to assemble the Back leg(1) \*

-This is for shipping purpose only.



(1)

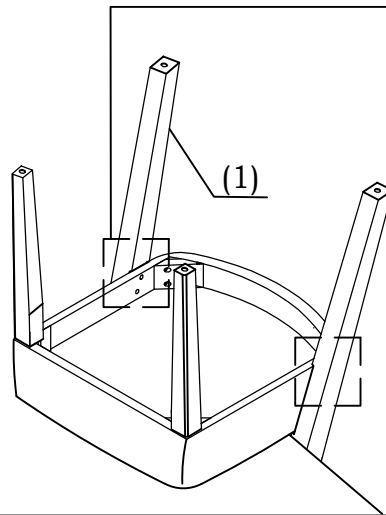
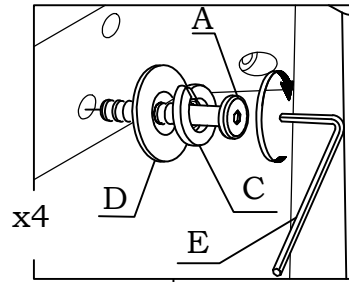
**II.**



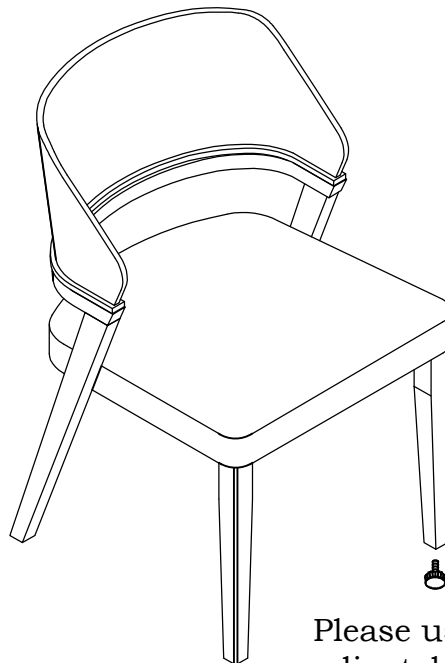
x4


(L) (R) (3) (2)

III.



IV.



 Assembled

Please use the attached adjustable footglides to level the chair on an uneven surface.