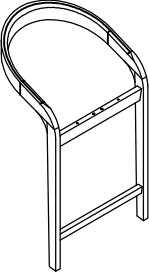
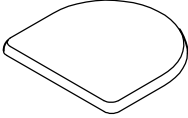
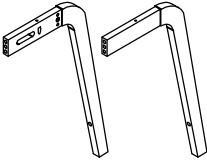






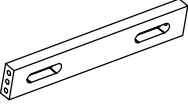
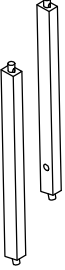

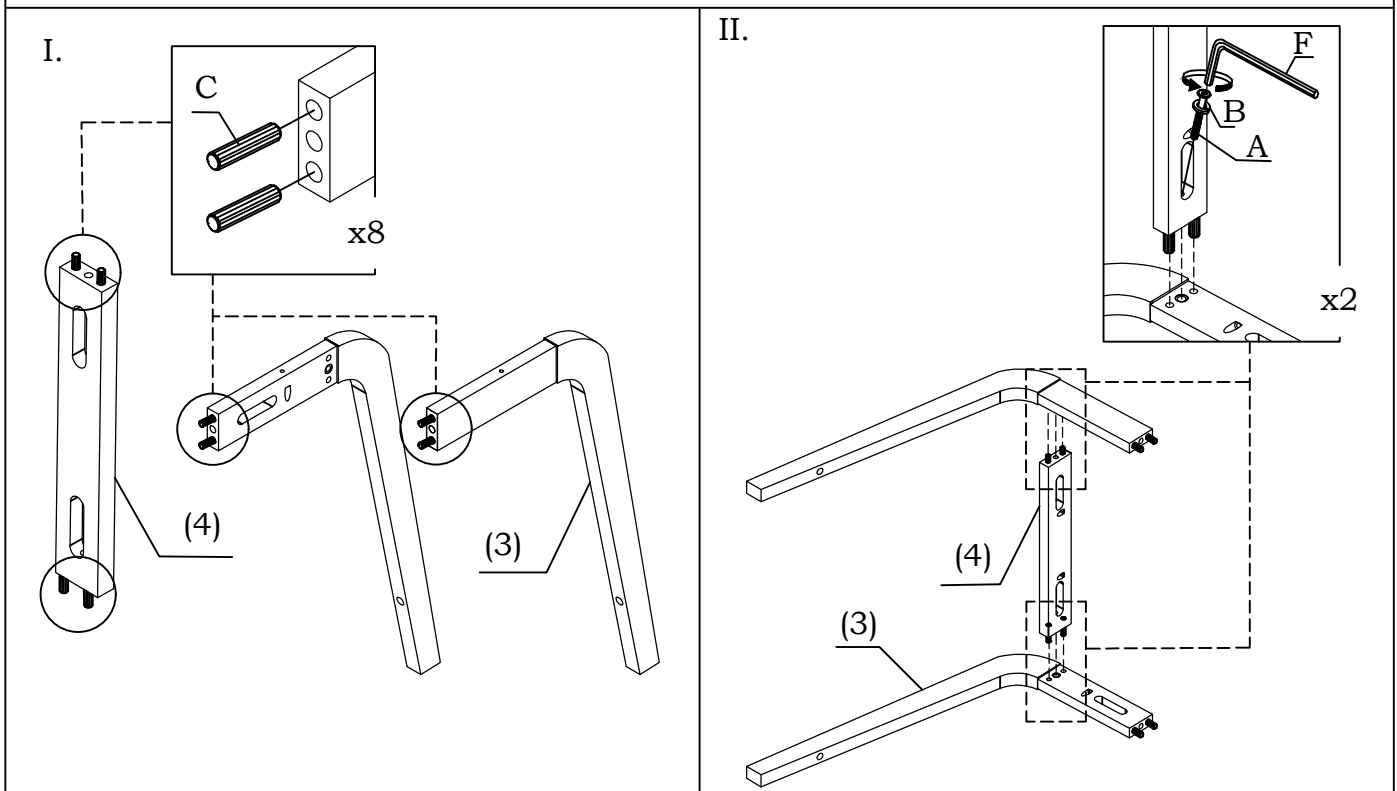


**ITEM NAME/NOM D'ITEM: TROY COUNTER STOOL**  
**ITEM #/NO. ITEM: 110399**

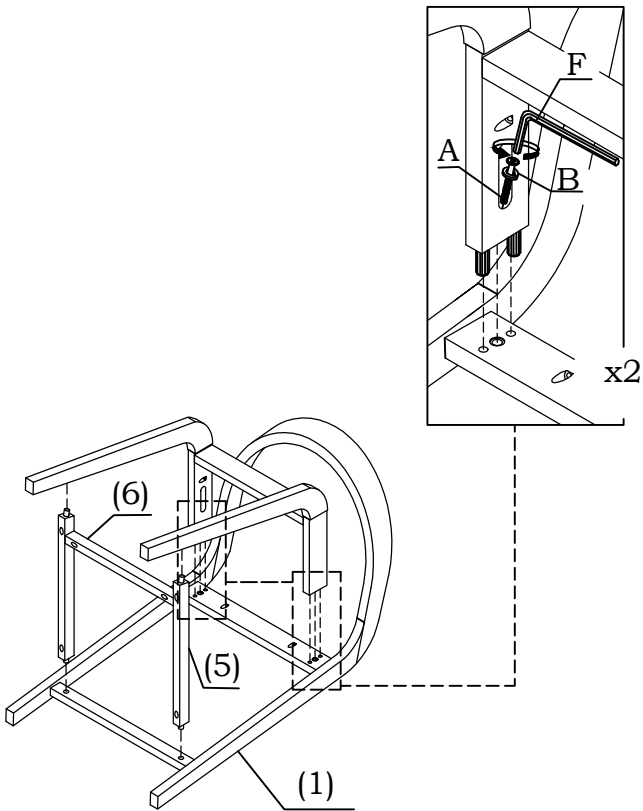
## PARTS LIST/LISTE DES PIÈCES

(1)	(2)	(3)	(7)
 x1	 x1	 x2	<p>A.  M6 x 50MM x4</p> <p>B.  1/4 x4</p> <p>C.  8 x 35MM x8</p> <p>D.  8 x 25MM x2</p>
(4)	(5)	(6)	<p>E.  5 x 32MM x12</p> <p>F.  M4 x1</p>
 x1	 x2	 x1	

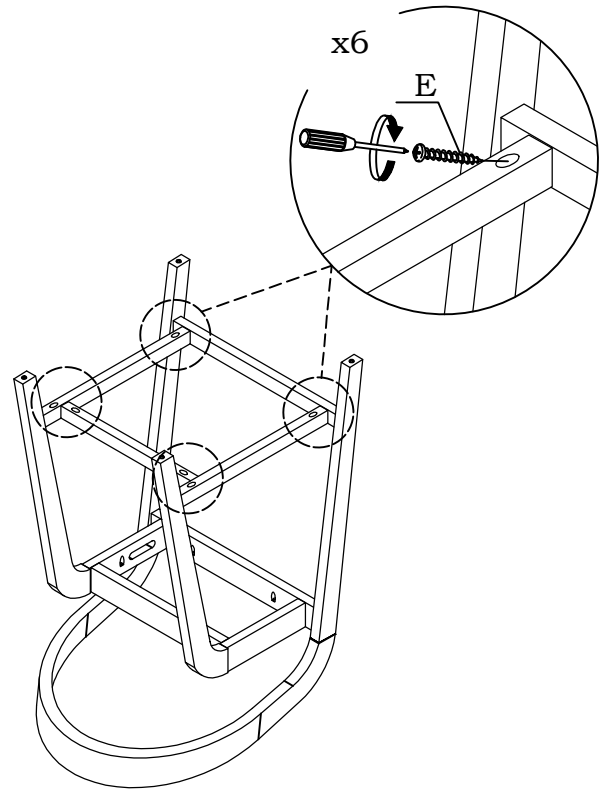
## ASSEMBLY INSTRUCTIONS/INSTRUCTIONS D'ASSEMBLAGE



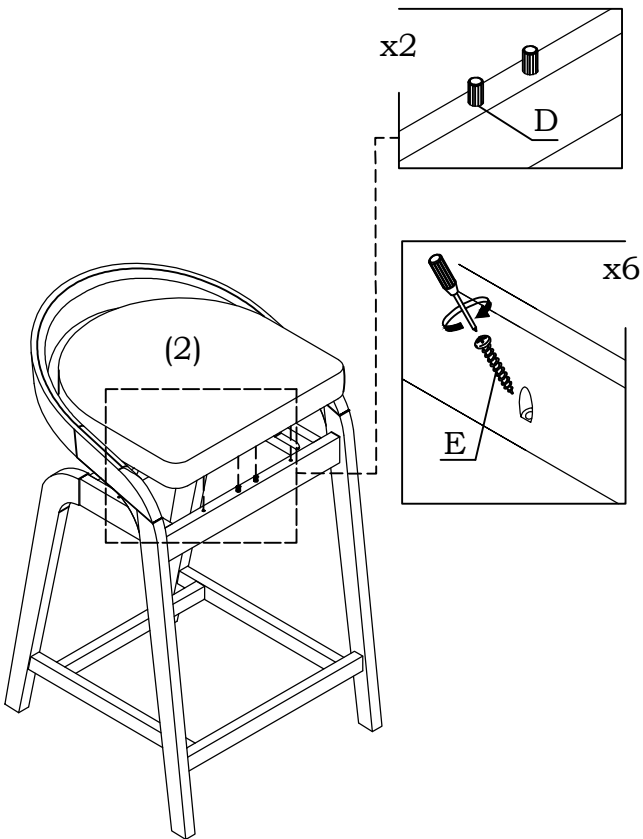
III.



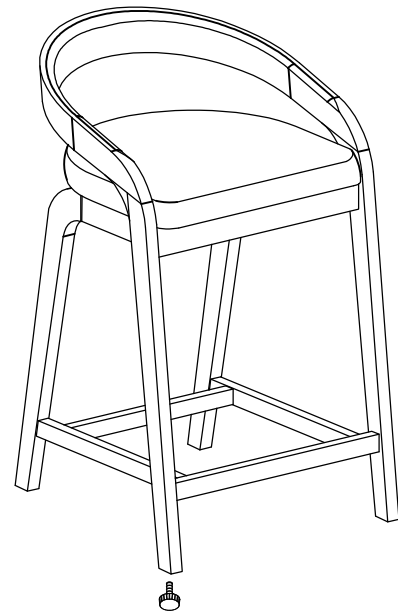
IV.



V.



VI.



Please use the attached adjustable footglides to level the chair on an uneven surface.

For missing parts or damaged parts, please call /  
Pour pièce manquante ou endommagée, veuillez appeler:

USA, Canada and Mexico:(866)798-6663

AI-V1-M003-241014